

biamp. | AVI  SPL<sup>®</sup>



# DEVIO

CONNECT + COLLABORATE



# COLLABORATION IN THE MOMENT

When inspiration strikes, the ability to connect at a moment's notice is essential. Anything that slows this process down can disrupt a collaboration at its most critical juncture.

In the context of conferencing, these delays are usually due to the technology in the room. Whether it's uncertainty about the equipment or an inability to connect to the room's peripherals, the result is the same: momentum is lost.

We believe the shortest distance between you and your remote colleagues is a straight line. That's why we created a streamlined, user-friendly collaboration solution specifically designed for focused rooms and smaller spaces, eliminating technical obstacles and allowing your team to live in the moment.



MEET DEV  
SOLUTION



IO - A SIMPLE, POWERFUL  
FOR SMALLER SPACES



# INSTANT COLLABORATION ANYWHERE, ANYTIME.

Devio is a natural extension of how people work every day. With a single USB connection, Devio connects your laptop to the technology in your collaboration space, providing instant access to the room's displays, speakers, microphone, webcam, and other tools.

Devio's Beamtracking™ microphones, available in both tabletop and ceiling-mounted models, track and intelligently mix conversations from around the table, allowing far-end participants to experience the meeting as it unfolds, breaking down the barriers to truly collaborative experiences.

# TWO CHOICES FOR CLEAR COMMUNICATION

Devio supports a variety of room designs for computer-based conferencing, including BYOD approaches and connection via dedicated in-room PCs. Because each room is unique, we created two conferencing hubs — the SCR-20 and SCR-25. The SCR-20 includes support for 4K30 video, HDCP 1.4 content, and HDMI audio. In addition to those features, the SCR-25 also uses Bluetooth® wireless technology to provide a cable-free solution for users who prefer conferencing via mobile phone, and also comes equipped with a headset jack for joining a conference via POTS/VoIP handset in the room.

	USB Audio	4K30	HDCP 1.4 Support	HDMI Audio	Headset Support	Bluetooth
SCR-20	●	●	●	●		
SCR-25	●	●	●	●	●	●

Included with purchase: Each Devio conferencing hub (SCR-20 and SCR-25) comes with your choice of microphone. A Parle TTM-XEX Tabletop Microphone, TCM-XEX Ceiling Microphone or DCM-1 Pendant Microphone. All come with Beamtracking technology.

# EASY TO USE, HARD TO BEAT

We created Devio with simplicity in mind, making it easy to install, manage, and control. With Devio, you can walk into a collaboration space with your laptop and plug in immediately.

## ENHANCED AUDIO

The Beamtracking microphone included with Devio automatically follows the voice of the person speaking, providing natural sound for audio and video conferences. Audio quality remains the same regardless of who is talking and from where, allowing participants on the far end to enjoy clear, consistent communication.



# GIVE EVERYONE A VOICE

*Devio adjusts its gain automatically and nimbly, based on the level at which each person is speaking, ensuring no one is overpowered and everyone is heard. By allowing both loud and quiet speaking styles to be heard at a uniform level, enabling conference participants on the far end understand every word.*

## **AUTOMATIC ROOM SETUP**

The Auto Setup feature automatically validates device hardware connections and sets the room levels for the best audio possible.

## **VIDEO-CAPABLE**

Devio can pass video from the connected laptop via HDMI, or USB using DisplayLink USB graphics technology also supports embedded video over HDMI.

## **POWERFUL MANAGEMENT**

Devio devices can be monitored and managed remotely via SNMP or with the Devio System Administration Utility (SAU). Firmware updates can also be scheduled and deployed to multiple Devio units via SageVue, our monitoring and management platform.

## **UC VERSATILITY**

Devio elevates the experience of using a wide range of different UC solutions, providing greater flexibility for users.

## **FLEXIBLE INSTALLATION**

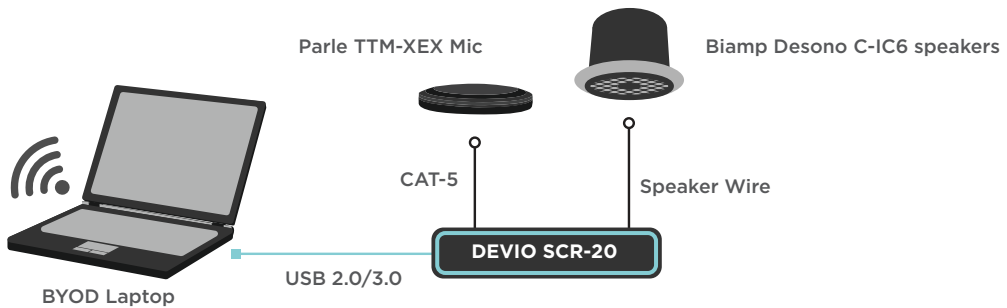
Thanks to the included mounting clip, Devio can be installed in a variety of locations. The unit can sit on the tabletop or be mounted underneath it to minimize clutter. In rooms with limited table space, Devio can also be installed behind the display.

# HOW AND WHERE

Devio integrates video output to HDMI displays and offers USB ports for connecting to other devices (like a USB camera), enabling the flexibility needed to create your ideal huddle room setup.

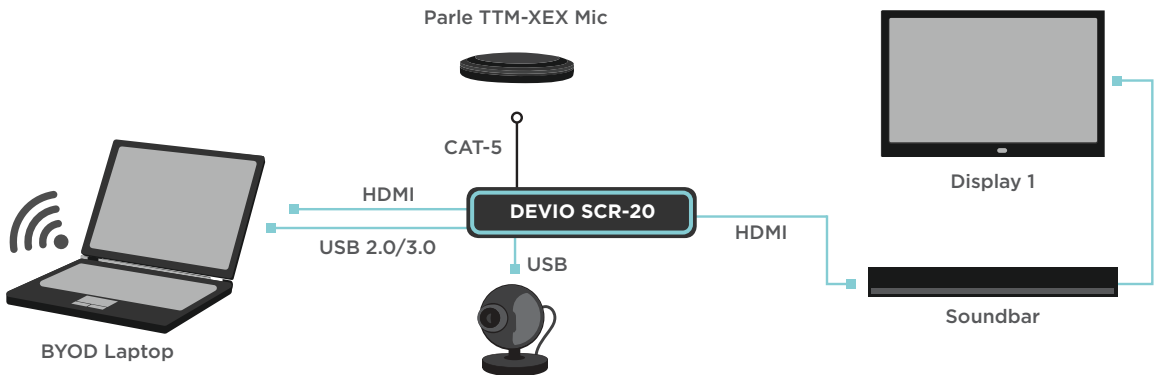
Here are just a few possibilities:

## AUDIO CONFERENCING



## AUDIO AND/OR VIDEO CONFERENCING

*Access one display via HDMI with no video driver required*

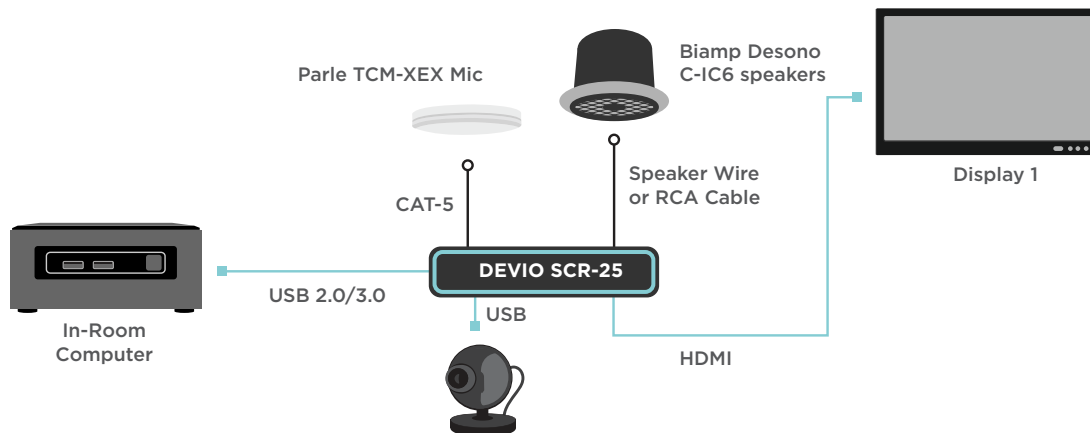




# DEVIO WORKS BEST

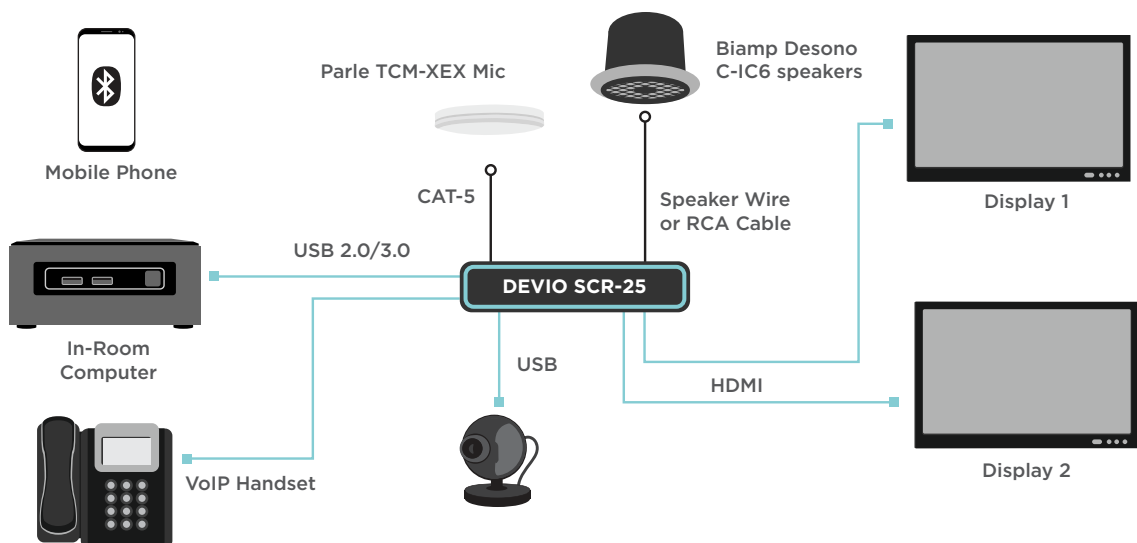
## FULL ROOM INTEGRATION

*Access up to two displays via USB and DisplayLink*



## FULL ROOM INTEGRATION WITH PHONE SUPPORT

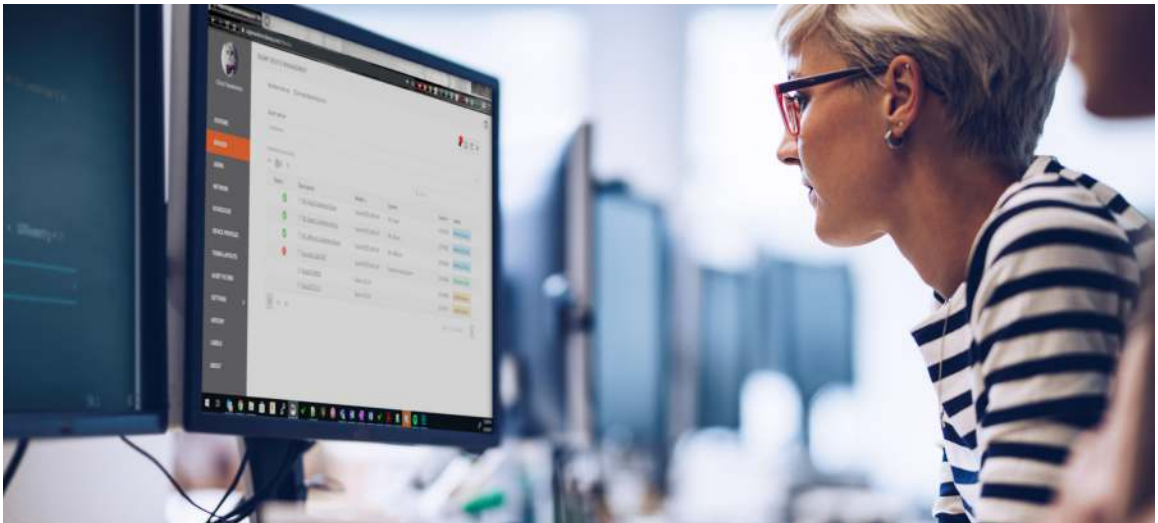
*USB, Bluetooth wireless connectivity, and handset can all be live at the same time and bridged together*



# CONNECT, MANAGE, AND MONITOR

Devio meets IT requirements for collaborative appliance remote monitoring and control.

- Devio's System Administration Utility (SAU) helps technology managers see the current state of all Devio devices on the network, including status indicators for power, microphone connectivity, Auto Setup, and USB connections.
- SageVue provides many of the same benefits as SAU, while also allowing for firmware update scheduling; additionally, SageVue provides an enterprise-wide view of Biamp devices of all kinds.
- Support for the SNMP standard enables Devio to be managed alongside other network connected devices.
- Devio uses standard Windows and Mac OS X audio drivers; no additional software, drivers, or applications are required for audio conferencing via Devio.
- DisplayLink USB graphics technology allows Devio to provide “plug and display” simplicity for up to two displays over a single USB connection.



# AUTO SETUP

*With the push of a button, Devio maps the audio landscape of a room and calculates an optimal result for the audio signal. If the room is rearranged, simply push the button again to re-tune and re-optimize the space.*





[www.avispl.com/biamp](http://www.avispl.com/biamp)

Contact your account  
manager today or  
call us at 866.559.8197

Biamp, Devio, and Beamtracking are either trademarks or registered trademarks of Biamp Systems, LLC in the United States and other countries. HDMI, HDMI High-Definition Multimedia Interface, and the HDMI logo are either trademarks or registered trademarks of HDMI Licensing LLC in the United States and other countries. Other product names referenced may be trademarks or registered marks of their respective owners and Biamp Systems is not affiliated with or sponsored by these companies.

**biamp.**

DEVBR-501-2002-EN-R1